

**NEW**  
**PRODUCT**

 **marmoelettromeccanica**

# Revolutionary Diamond Frankfurt



For a perfect polish



# About Us



We proudly represent one of the leading Italian companies in the metal-mechanical sector, specializing in manufacturing diamond tools for processing natural and synthetic stone.

Internationally acclaimed, we boast the highest number of patents, utility models, and industrial designs in the stone industry, filed, extended, and confirmed on a global scale.



## **The innovation in flat surface polishing: Our Frankfurt for polishing the surfaces.**

Designed for perfect flat surface polishing, these pads are the epitome of precision and quality in surface finishing.

Thanks to their design, they guarantee unprecedented performance.

The Frankfurt pads are equipped with a special polymer support. This innovation acts as a buffer for any machine inconsistencies and/or irregularities of the surface being worked on, thus ensuring a flawless finish. It's not just a pad; it's the key to unlocking the potential of your machines, ensuring that every surface worked on is perfect. This unique feature guarantees an unmatched level of polish, highlighting the true beauty of the material.

The Polishing Frankfurts adapt effortlessly, providing you with a solution that's as versatile as it is effective.

# Unmatched Speed and Gloss

Discover Our Revolutionary Diamond Frankfurt.



## Unmatched Speed

Thanks to innovative technology, our Frankfurt operate at speeds higher than any other option on the market. This means reduced processing times and increased productivity, without ever compromising on quality.



## Precision Polishing

Each Frankfurt is engineered to ensure a flawless finish on a wide range of materials. Whether it's marble, granite, engineered stone, or ceramics, the result is always the same: a shiny and perfectly smooth surface.



## Stunning Results on All Materials

Our special formula ensures that each pass of the Frankfurt leaves behind nothing but shine. Forget about matte or uneven finishes: with our Frankfurt, a perfect polish is guaranteed.



## Extended Longevity

Our Polishing Frankfurt offer extended lifespan, saving costs and time by reducing machine downtime. Ideal for efficient production and lower operational expenses.

## A single product for all materials


Discover unprecedented compatibility with the new Frankfurt– the only product you'll need for all materials. This cutting-edge technology is the epitome of versatility, allowing smooth work on a wide range of materials, both natural and artificial. Specifically designed for marble, granite, limestone, quartzite, engineered stone, and ceramic, it offers a unique solution that revolutionizes the polishing process.

Our unique product eliminates the need to swap tools for different materials, allowing the same tool to effortlessly transition between various types of stone and ceramics. This not only saves significant time on machine setup but also increases production flexibility. Now, you no longer need to change tools; with just one type of pad, you can work on all materials consecutively.


Embrace the future of material processing where simplicity meets efficiency.

A close-up photograph of a white marble surface with subtle grey veining. The texture is smooth and polished.

Marble

A close-up photograph of a light beige travertine surface. The texture is characterized by natural, porous, and irregular patterns.

Travertine

A close-up photograph of a dark grey limestone surface. The texture is relatively uniform but shows some natural grain and slight variations in tone.

Limestone



#### **Atomized Diamond Macromolecule**

A special, patented binder that ensures durability up to five times longer than those currently available on the market. It offers perfect polish on all materials with much higher efficiency in progress.

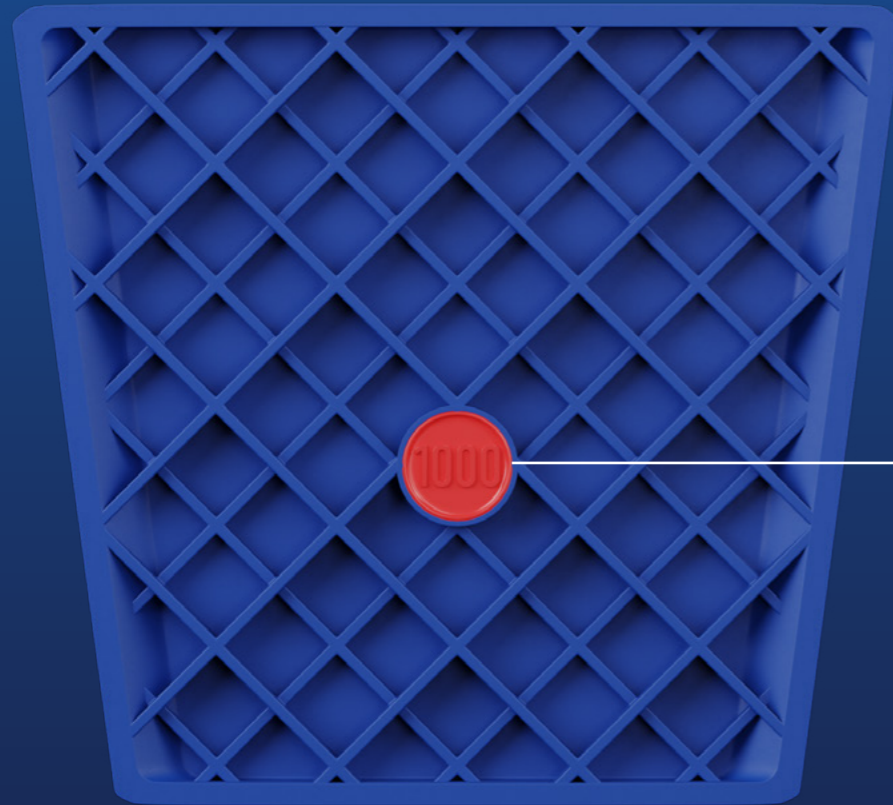
#### **Attachment**

An attachment where the polymer membrane is vulcanized.



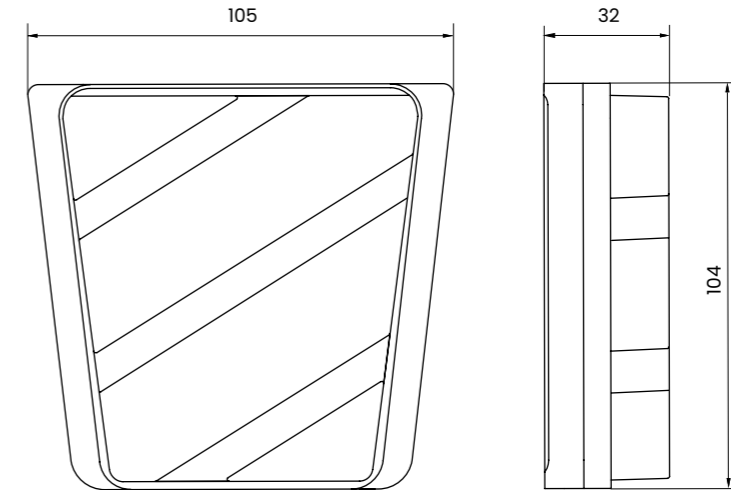
# Frankfurt

Available in 13 grits



- #46
- #80
- #120
- #220
- #320
- #400
- #500
- #800
- #1000
- #1500
- #2000
- #3000
- #5000

Polishing Frankfurt



CODE	TECHNOLOGY	FITTING	GRAIN
SFR1000046	Longlife+	Frankfurt	46
SFR1000080	Longlife+	Frankfurt	80
SFR1000120	Longlife+	Frankfurt	120
SFR1000220	Longlife+	Frankfurt	220
SFR1000320	Longlife+	Frankfurt	320
SFR1000400	Longlife+	Frankfurt	400
SFR1000500	Longlife+	Frankfurt	500
SFR1000800	Longlife+	Frankfurt	800
SFR1001000	Longlife+	Frankfurt	1000
SFR1001500	Longlife+	Frankfurt	1500
SFR1002000	Longlife+	Frankfurt	2000
SFR1003000	Longlife+	Frankfurt	3000
SFR1005000	Longlife+	Frankfurt	5000



## Sequence

The table provides guidance on the indicative sequence for Polishing Frankfurt.

However, adjustments may be necessary depending on the specific type of material and machine. Additionally, it's possible to sequence two identical grits to further increase speed.

The choice of grits, in addition to those required for polishing, depends on the desired outcome.

Our technical department is fully available to advise you on the correct sequence for your machine.

GRITS	NUMBER OF HEADS				
	8	10	12	14	16
● #46					
● #80			1	1	1
● #120	1	1	2	2	2
● #220	2	2	3	3	3
● #320	3	3	4	4	4
● #400	4	4	5	5	5
● #500		5	6	6	5
● #800	3	6	7	7	7
● #1000		7	8	8	8
○ #1500	6	8	9	11	13
● #2000	7	9	10	12	14
● #3000	8	10	11	13	15
● #5000			12	14	16

— Multiplicable  
 — Choice



**Marmoelettromeccanica**

Via Flaminia km 41,400  
Rignano Flaminio, RM 00068 | Italy  
T +39 0761 5051

2400 Main Street  
Sayreville, NJ 08872 | US  
T +1 833 MEM TOOL

[marmoelettro.com](http://marmoelettro.com)





**Marmoelettromeccanica**

Via Flaminia km 41,400 Rignano Flaminio, RM 00068 | IT  
T +39 0761 5051

2400 Main Street Sayreville, NJ 08872 | US  
T +1 833 636 8665

[marmoelettro.com](http://marmoelettro.com)